

# TremLock® T-138

## Standing Seam Metal Roof System (Shingle Recover)



### FEATURES

- Install directly over shingles
- No lap conditions
- Symmetrical / matching left and right seams
- Above sheathing ventilation

### BENEFITS

- No tear-off\* / disposal of existing roof material
- Improved weathertightness
- Ease of installation, individual panel repair / replacement
- Reduce heat transfer and decrease energy expense

### DESCRIPTION

TremLock T-138 Roof System is a 1 3/8" tall, symmetrical panel factory or field roll formed metal roof system that is manufactured from 24 or 22 gauge Galvalume®, an aluminum-zinc alloy, Class AZ-50. Galvalume carries a 25 year warranty against perforation, rupture and structural failure due to exposure to normal environmental conditions. The Galvalume panel is coated with Kynar 500® / Hylar 5000®, paint system.

### BASIC USES

The TremLock T-138 Metal Roof System can be specified as a new or retrofit system for Architectural solid deck application on roof slope down to 2:12. TremLock T-138 is a versatile standing seam design with aesthetically pleasing appearance make it suitable for almost any roof configuration and complex geometrics. The TremLock T-138 panels can also be utilized as a wall system. The T-138 requires a solid substrate and can be used in new construction, remove and replace or in a direct application over shingles using our patented shingle recover clips.

### SYSTEM DESIGN

TremLock T-138 Roof System is designed as a two-piece mechanically seamed roof panel with a 1-3/8" standing seam height, consisting of a symmetrical panel and seam cap. The TremLock T-138 has a seam in the form of a "T" with two beads of continuous factory applied sealant located at the top of the seam and can be applied in a continuous length up to 200'. The system is ideal for retro-fit or new construction. The TremLock T-138 can be curved down to a radius of 9'.

**When using in a curved application:** The TremLock T-138 panels can be curved (16", 18" width only). Panels and Multi-Span Clips are curved on-site. Minimum Radius: Steel - 10', Aluminum - 10'. Multi-Span Clips - 35' radius. Maximum length on Multi-Span Clips is 30'. TremLock T-138 flat panels will curve naturally on a radius of 150' or greater.

### FINISH/COLOR

- Acrylic coated Galvalume
- Fluoropolymer (Kynar 500 PVDF resin-based)
- Oil canning is inherent in all metal panels and is not cause for panel rejection.

### APPLICATION

TremLock T-138 is a symmetrical roof/wall panel used on slopes down to 2:12. Continuous lengths up to 200'. Tapered panels up to 32' long and convex curving available to a radius of 9'. Refer to TremLock T-138 Installation manual.

### SECTION PROPERTIES & PROFILES

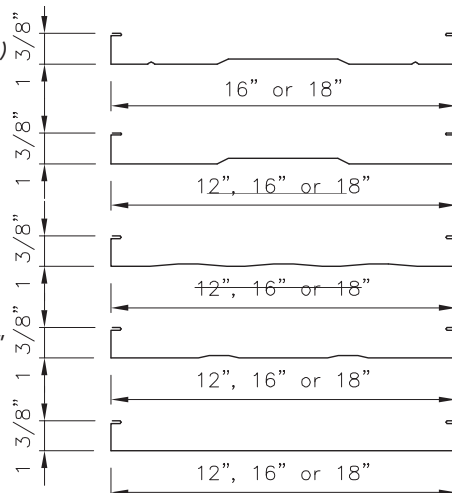
**Plank & Pencil:** (recommended)  
16" or 18"

**Plank:** 12", 16" or 18"

**Striated:** 12", 16" or 18"

**Minor Rib:** 12", 16" or 18"

**Flat:** 12", 16" or 18"



**SECTION PROPERTIES  
& PROFILES**  
CONTINUED

# TremLock® T-138

**Standard Clip:**

16 GA. Galvanized G90 - ASTM A635 (50 ksi)  
16 GA. Stainless 304SS - ASTM A240 (50 ksi)

**4" ASV Clip:**

16 GA. Galvanized G90 - ASTM A635 (50 ksi)  
16 GA. Stainless 304SS - ASTM A240 (50 ksi)

**8" Shingle Recover Clip:**

16 GA. Galvanized G90 - ASTM A635 (50 ksi)  
16 GA. Stainless 304SS - ASTM A240 (50 ksi)

**Multi-Span Clip:**

Standard: 24 GA. - ASTM A792 (50 ksi)  
Optional: 22 GA. - ASTM A792 (50 ksi)  
*\*Typically sold in 10' lengths*

**Vented Eave/Ridge Trim for T-138:**

0.063 Aluminum - ASTM B209 3003

**BEARING PLATE:**

24 GA. - ASTM A792 (50 ksi)

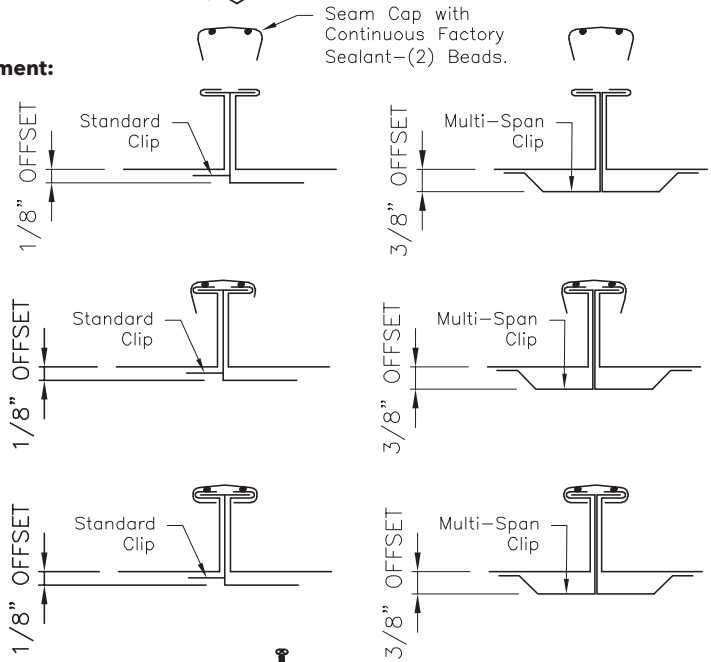
**8" SHINGI**

16 GA. Galvaniz

**Stackable Leveling Shim:**

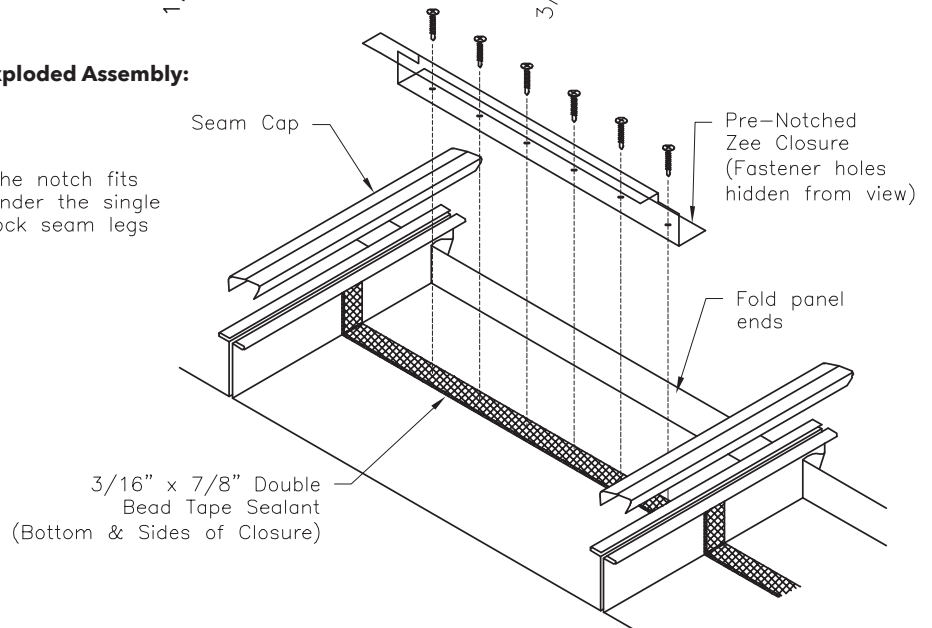
6" x 6" x 1/4" Thick

**Seamed Engagement:**



**Exploded Assembly:**

The notch fits under the single lock seam legs



**SECTION PROPERTIES  
& PROFILES**  
CONTINUED

**PHYSICAL PROPERTIES**  
Galvalume Only \*

**MAINTENANCE**

**PRECAUTIONS**

**TECHNICAL SUPPORT**



[www.tremcoroofing.com](http://www.tremcoroofing.com)  
3735 Green Road  
Beachwood, Ohio 44122  
1.800.852.6013

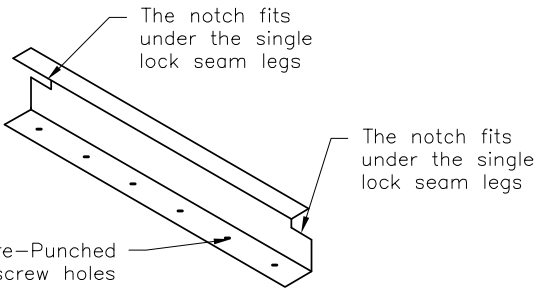
220 Wicksteed Avenue  
Toronto, Ontario, M4H 1G7  
1.800.668.9879

Tremco Roofing and Building  
Maintenance is part of Tremco  
Construction Products Group.

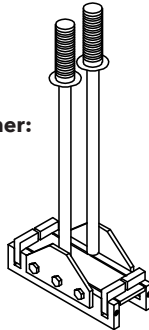
# TremLock® T-138

**Closure:**

Optimum Widths 16".  
Additional lengths for hips available.  
24 GA. - ASTM A792 (50 ksi)



**Hand Seamer:**



**Mechanical Seamer:**



| TITLE OF TEST          | TEST METHOD                       |
|------------------------|-----------------------------------|
| Uplift                 | UL 580, UL 1897 / ASTM E1592      |
| Air & Water Filtration | ASTM E1680 / ASTM E1646           |
| Florida State Approval | FL 22330 (Shingle Recover System) |
| Impact Resistance      | UL Class 4, FM Class 1-SH         |

*\*All testing conducting with galvalume substrate*

*\* If two (2) layers of shingles are present, at least one (1) layer will need to be removed.*

Your local Tremco Roofing sales representative can provide you with effective maintenance procedures which may vary, depending upon specific conditions. Periodic inspections, early repairs and preventative maintenance are all part of a sound roof program.

Users must read container labels and Safety Data Sheets for health and safety precautions prior to use.

Your local Tremco Roofing sales representative, working with the Technical Service Staff, can help analyze conditions and needs to develop recommendations for special applications.

Tremco is a US Registered trademark of Tremco CPG Inc.  
The information provided on this data page supersedes all previous data concerning this product and its application.  
The Statements provided concerning the materials shown are intended solely as a general guide for material usage and are believed to be true and accurate. Since the manner of use is beyond our control, Tremco DOES NOT MAKE NOR DOES IT AUTHORIZE ANY WARRANTY OF MERCHANTABILITY OR FITNESS FOR ANY PURPOSE, OR ANY OTHER WARRANTY, GUARANTEE OR REPRESENTATION, EXPRESSED OR IMPLIED, CONCERNING THIS MATERIAL EXCEPT THAT IT CONFORMS TO TREMCO'S PRODUCT SAMPLE. Buyer and user accept the product under those conditions and assume the risk of any failure, injury of person or property and loss or liability resulting from the handling, storage or use of the product, whether or not it is handled, stored, used in accordance with directions or specifications. UNDER NO CIRCUMSTANCE SHALL TREMCO BE LIABLE FOR CONSEQUENTIAL OR INCIDENTAL DAMAGES ARISING FROM ANY BREACH OF WARRANTY. IN ALL CASES, TREMCO'S LIABILITY IS LIMITED, AT TREMCO'S OPTION, TO THE REPLACEMENT OF GOODS, OR THEIR VALUE, PROVEN TO BE DEFECTIVE IN MANUFACTURING.  
TremLock® is a U.S. registered trademark of Tremco CPG Inc.  
Kynar 500® is a U.S. registered trademark of Arkema Inc.  
Hylar 5000® is a U.S. registered trademark of Solvay Solexis, Inc.  
Galvalume® is a U.S. registered trademark of BIEC International Inc.  
Fluropon® is a U.S. registered trademark of SWIMC LLC.